

DODGE 2500 HD/ 3500HD

2107010600 / 2101010600

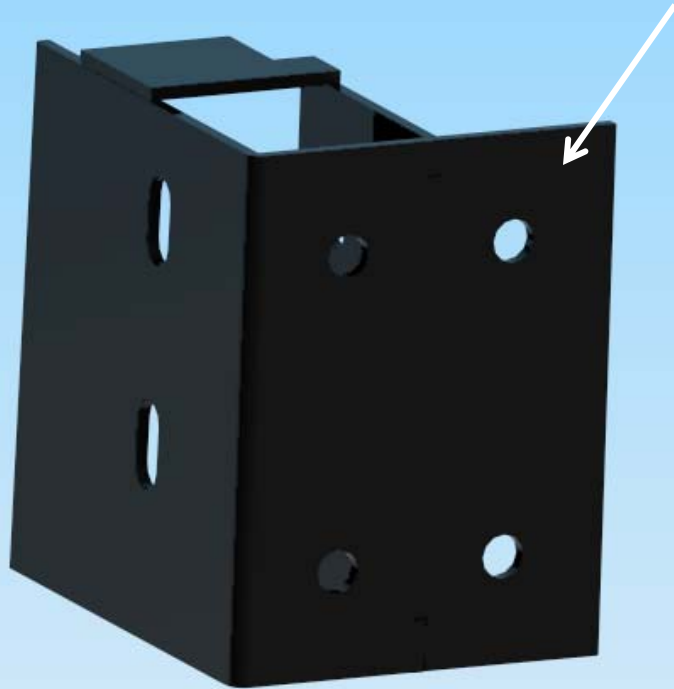


Figure 1

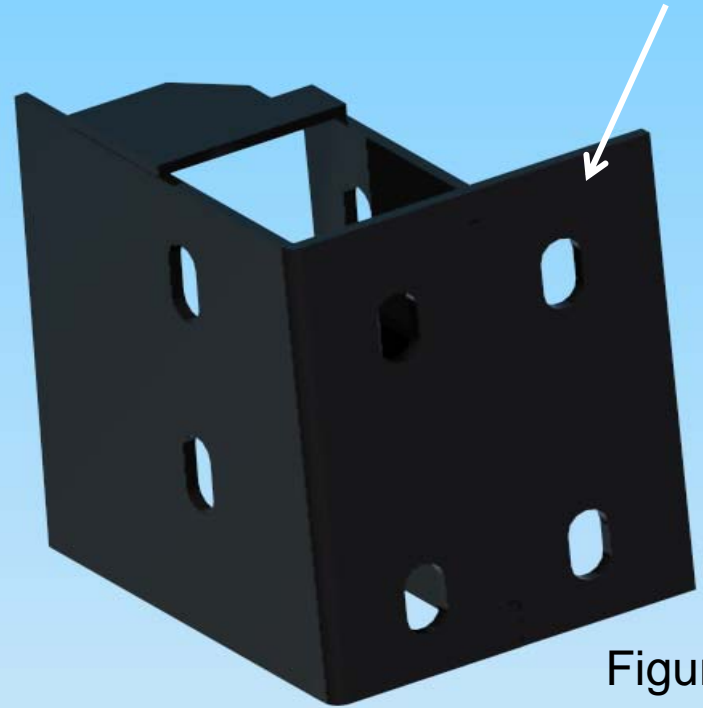


Figure 2

Discovery:

Our original design did not allow up and down adjustment for the bumper once it was installed to the mounting bracket. In some instances this caused the bumper to make contact with the light and/or fender of the truck.

Resolution:

Before installing the bumper, check the bracket box that is included with the front bumper and check hole design. If the mounting bracket has round holes (see *figure 1*) call 1-800-504-5684 to have the revised mounting bracket shipped to you. If the brackets have the revised oval slots (see *figure 2*) continue with the installation.